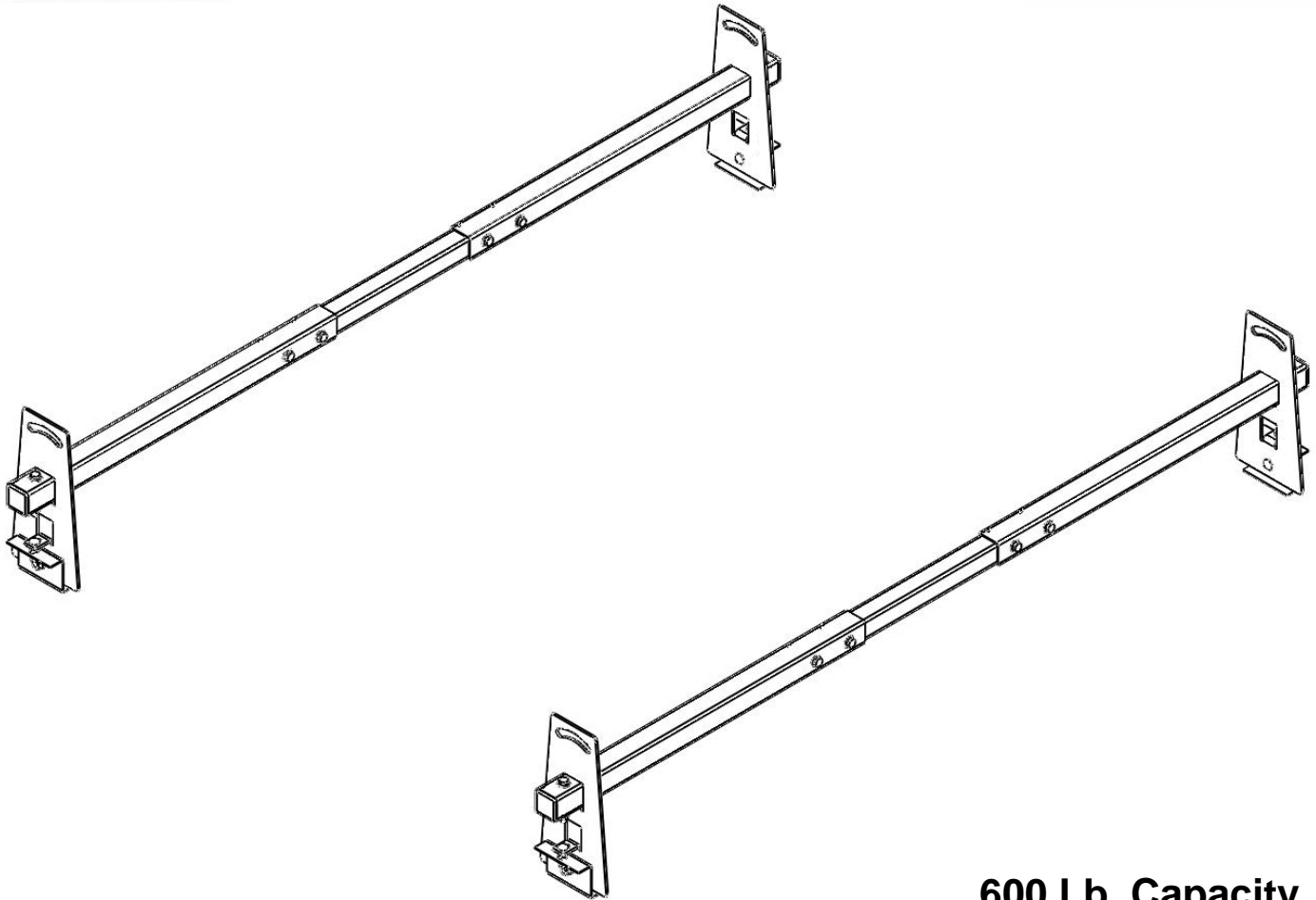




# PRORAC CONTRACTOR SERIES

## UNIVERSAL STEEL VAN RACK

### INSTALLATION INSTRUCTIONS



**600 Lb. Capacity**

#### Package Contents:

##### Parts

- (4) Outer Crossbars
- (2) Inner Crossbars
- (4) Uprights
- (4) Clips
- (4) End caps

##### Hardware

- (4) 5/16"-18 x 1-1/2" Carriage Bolts
- (4) 5/16"-18 x 1" Carriage Bolts
- (8) 5/16" Flat Washers
- (8) 5/16"-18 Nylon Insert Locknuts

- (8) 3/8"-16 x 2-1/2" Hex Head Bolts
- (24) Flat Washers
- (12) 3/8"-16 Nylon Insert Locknuts
- (1) Tube of Silicone

#### Before you begin:

Do not carry more than 600 pounds (272KG) of combined cargo and accessories on ProRac crossbars. Distribute loads evenly across both crossbar. ProRac cannot warranty loads that exceed this limit.

ProRac crossbars do not increase gutter or roof strength. Consult vehicle manufacture for gutter load capacity.

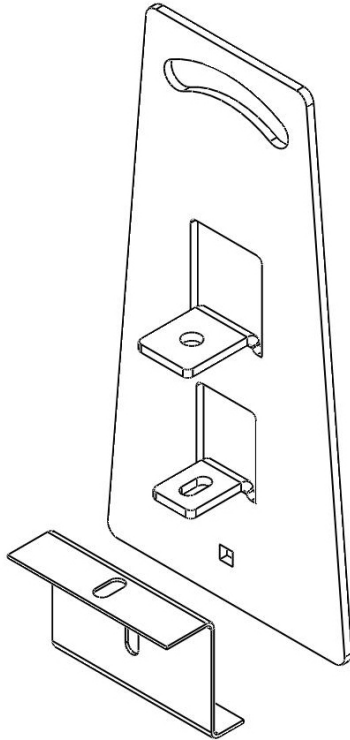
Remove all components from the shipping carton and read the instructions thoroughly to familiarize yourself with the assembly sequence.

Gather the following tools used to assemble and install the rack.

- 1/2" & 9/16" Socket and open end wrench
- 3/8" dia drill bit and drill
- Marker

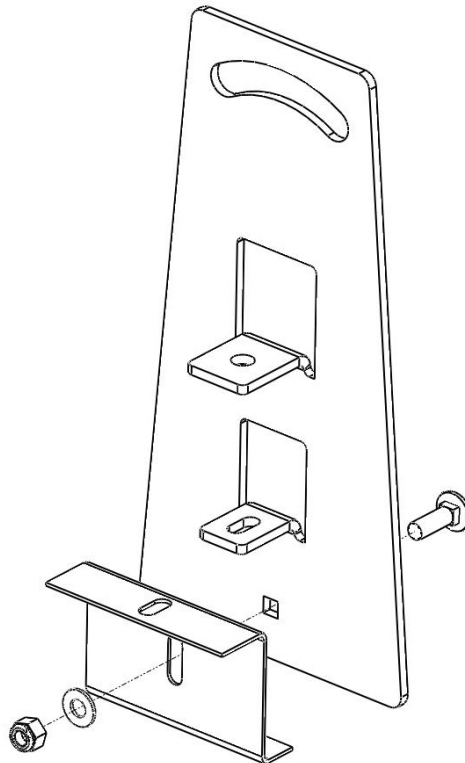
### Step 1 - Assemble clips to uprights

Orientate the clip to the upright as shown below.



Place a 5/16"-18 x 1" carriage bolt through back of the upright and clip.

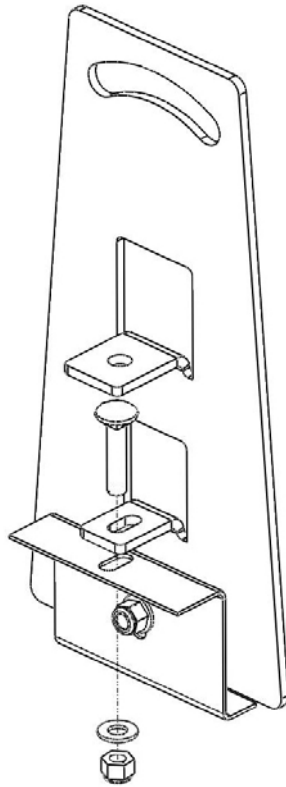
Loosely secure the clip with a 5/16" flat washer and 5/16"-18 nylon insert lock nut.



**Step 1 (Continued) - Assemble clips to uprights**

Place the 5/16"-18 x 1-1/2" carriage bolt through the upright tab and the clip.

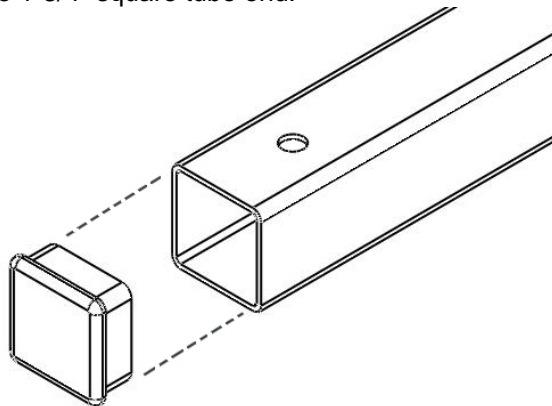
Loosely secure the clip with a 5/16" flat washer and 5/16"-18 nylon insert lock nut.



Repeat for remaining uprights.

**Step 2 End cap assembly**

Press the end cap into one end of the 1-3/4" square tube end.



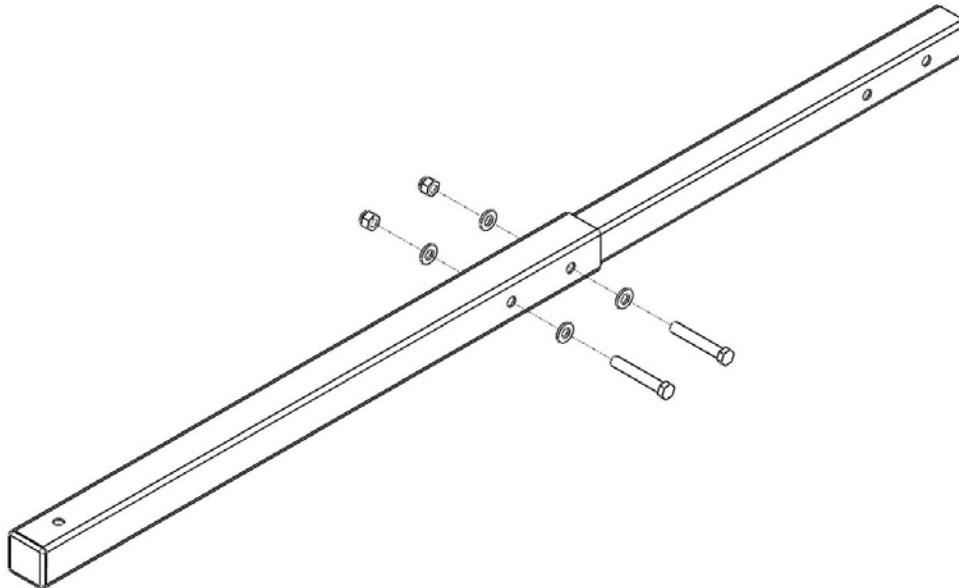
Repeat for remaining 1-3/4" square tubes.

### Step 3 Crossbar subassembly

Slide in the 1-1/2" square tube into 1-3/4" square tube and align the two bolt holes.

Apply a small bead of silicone around the bolt holes to seal out water.

Bolt the two bars together using (2) 3/8"-16 x 2-1/2" hex head bolt, (4) flat washers and (2) 3/8"-16 nylon insert lock nut.

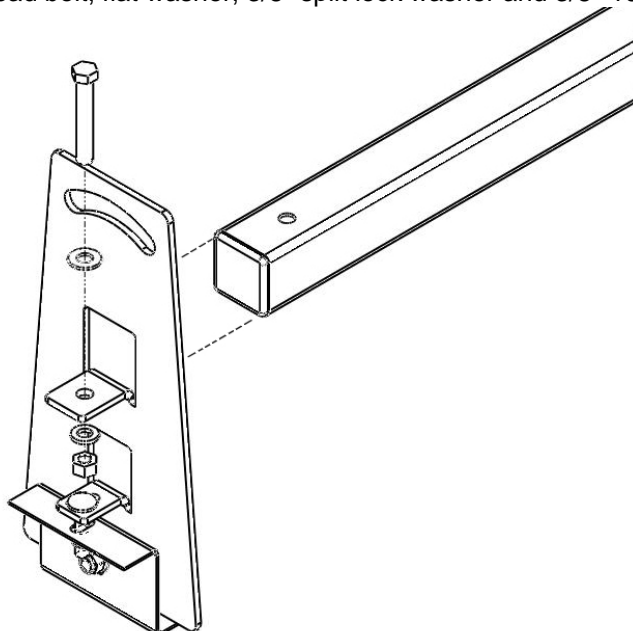


Repeat for other crossbar.

### Step 4 Mount tubes to upright

Slide the 1-3/4" square tube into the upright opening as shown and align the holes.

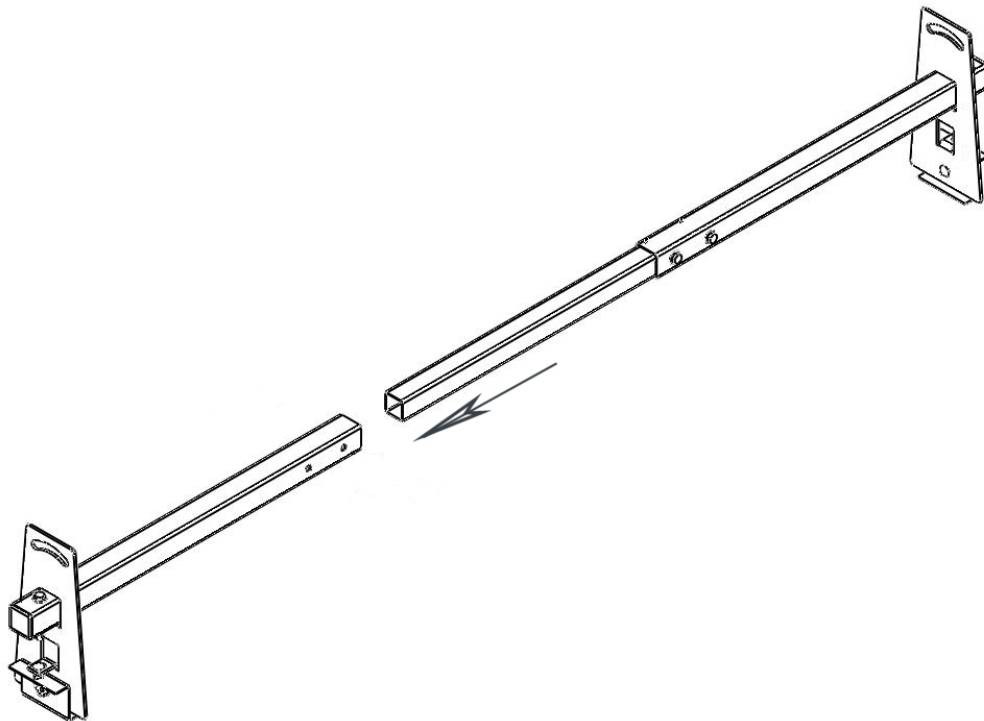
Secure using 3/8"-16 x 2-1/2" hex head bolt, flat washer, 3/8" split lock washer and 3/8"-16 nut.



Repeat for remaining 1-3/4" square tubes.

### Step 5 Crossbar assembly

Slide the crossbar subassembly with the 1-1/2" square tube into the crossbar assembly with the 1-3/4" square tube as shown.



Repeat for other crossbar.

### Step 6

Place the crossbars on desired location on van and adjust width to fit gutter.

Tighten clip hardware on both sides.

Using the 1-3/4" tube bolt holes as guides; mark the holes onto both sides of the 1-1/2" tubes.

Loosen clips and remove the crossbars from van.

### Step 7

Slide out 1-1/2" tube from the 1-3/4" tube.

Mark the center of the holes on the 1-1/2" tube from step 6.

Using a 3/8" drill bit, drill each holes from the outside in.

Repeat for other crossbar.

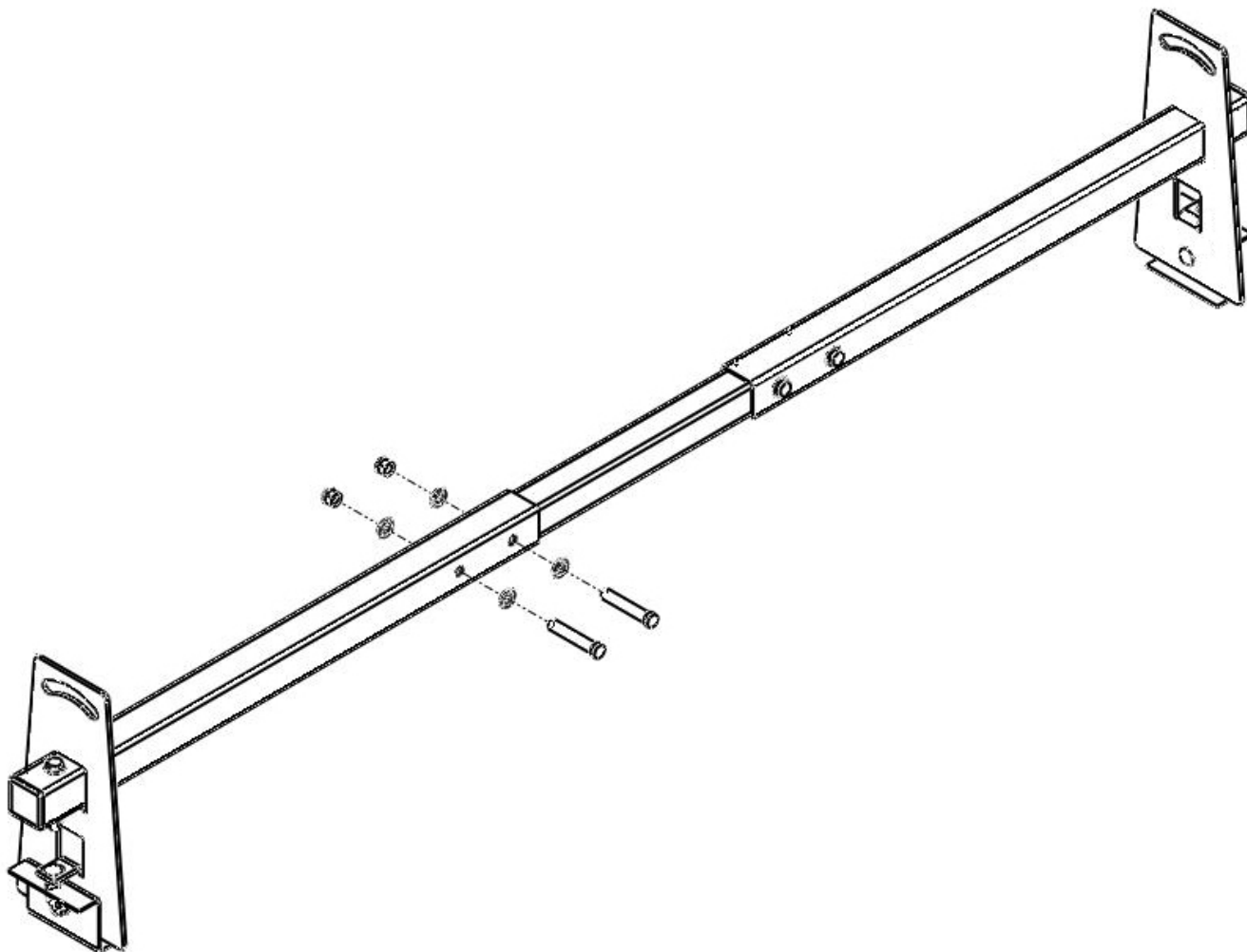
### Step 8

Reinsert 1-1/2" tube into 1-3/4" tube assembly and align holes of the 1-3/4" tube with drilled holes on the 1-1/2" tube.

Apply a small bead of silicone around the bolt holes to seal out water.

Bolt the two tubes together using (2) 3/8"-16 x 2-1/2" hex head bolts, (4) flat washers and (2) 3/8"-16 nylon insert lock nuts.

Repeat for other crossbar.



### Step 9

Seal the gap between the 1-3/4" and 1-1/2" crossbars with silicone. This seals the tubes preventing water from entering and reduces wind noise.

### Step 10

Place back on the van roof to the desired location and tighten clip hardware.

### Step 11

Repeat for other crossbar.

## Customer Limited Warranty and Standard Return Policy

Hauler Racks, Inc. offers to preferred customers a special limited warranty. It is our goal to provide effective service for any warranty or standard return. This statement of warranty and return policy is divided into two sections: Warranty Returns of Defective Product and Standard Returns of Unused Product.

### Warranty Returns of Defective Product

Hauler Racks, Inc. will repair or replace, at its option and without charge, any properly installed Hauler component that fails due to defect in material or workmanship up to 30 days from the initial registered consumer purchase. All of our aluminum product line is guaranteed not to rust or corrode for 1 year. Proof of Purchase must be provided for warranty to be honored.

Loads should never exceed 1/3 of your vehicle's manufacturer's total load capacity. Loads should never extend more than 1 foot on either end of rack. This warranty is void if any damage to the product is due to misuse, abuse, neglect, accident, improper installation, or any uses contrary to the instructions accompanying the product. The warranty is also void if racks are altered in any manner. The racks have been load tested for the racks capacity to hold loads when not on a vehicle. Hauler Racks, Inc. does not warranty load capacities. As the factory has no way of knowing if the product was properly assembled, installed, used according to instructions, or if loads were secured properly.

This warranty covers the cost of the defective component and not the cost of removal, installation or other incidental charges unless other arrangements have been made with Hauler Racks.

This warranty gives you specific legal rights and you may have other rights which vary from state to state.

All warranty claims must receive a Return Authorization number from Hauler Racks, Inc. BEFORE the product is returned to the Company. Please follow this procedure:

1. Call Hauler at 800-843-5445 to request a Return Authorization number. You will need to provide the following information
  - Specific nature of the defect
  - Product installation date
  - Product part number
  - Original sales invoice number
2. When a replacement or repair strategy is determined, a Return Authorization number will be assigned to the claim.
3. A replacement invoice and shipping document will be generated at Hauler Racks to initiate any replacement product. Replacement product will be sent according to standard shipping cycles.
4. The purchaser is responsible for packing and return shipping of the product. The RETURN AUTHORIZATION NUMBER MUST BE CLEARLY MARKED ON THE OUTSIDE OF THE PACKAGE. Unmarked packages will be refused. Any product damage that occurs during the shipping is not covered under warranty. The purchaser must pursue claims for shipping damage with the shipping center.
5. The purchaser is responsible for payment of both the original product invoice and the replacement invoice according to established credit terms.
6. Upon receipt of the returned product, Hauler Racks will review the claim for warranty conformance. If the claim meets warranty criteria, a credit for the original invoice amount will be posted to the purchaser's account and a credit memo will be mailed. If the claim does not meet warranty criteria, the purchaser will receive a statement detailing reasons for partial credit or denial. At the purchaser's option, denied product may be returned to the purchaser.

### Standard Returns of Unused Product

Unused product may be eligible for return to Hauler Racks, Inc. Follow the procedure described in the section on Warranty Returns to receive an Authorization Number.

Returned product which is less than 6 (six) months old is subject to a 20% restocking fee.

Returned product which is more than 6 (six) months old may not be eligible for return or may incur additional restocking charges.

HMIS36  
Steel Van Rack  
Revised 5-20-2009

© 2009 Hauler Racks, Inc.

HAULER RACKS, INC.  
7109 31<sup>st</sup> Avenue North  
Minneapolis, MN 55427-2848  
WWW.HAULERRACKS.COM

7 of 7

Toll Free: 1-800-843-5445  
Phone: 763-546-5620  
Fax: 763-546-0933