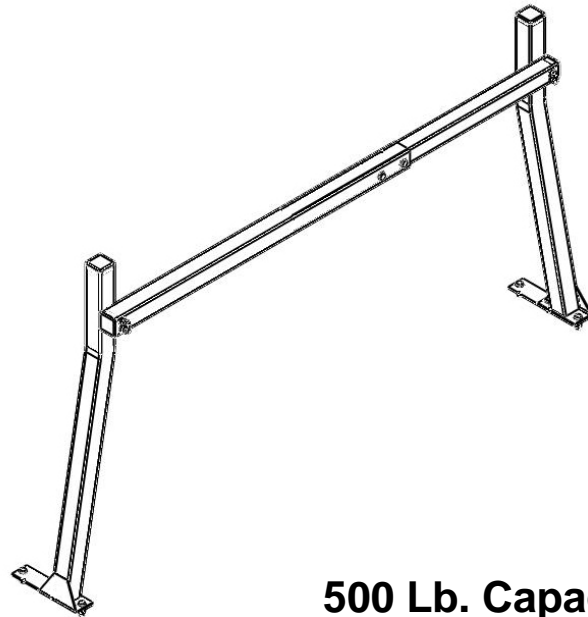
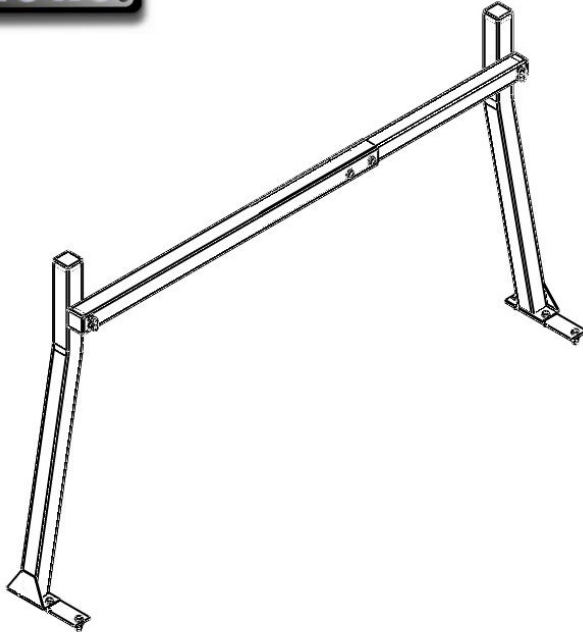




PRORAC CONTRACTOR SERIES UNIVERSAL STEEL ECONO TRUCK RACK INSTALLATION INSTRUCTIONS



500 Lb. Capacity

Package Contents:

Parts

- (4) Legs
- (4) Load Plates
- (2) Outer Crossbars
- (2) Inner Crossbars
- (6) 2" Square End caps
- (2) 1-3/4" Square End caps

Hardware

- (12) 3/8"-16 x 1-1/4" Hex Head Bolts
- (4) 3/8"-16 x 2-3/4" Hex Head Bolts
- (4) 3/8"-16 x 4-1/2" Hex Head Bolts
- (4) 3/8"-16 x 5" Hex Head Bolts

- (36) Flat Washers
- (12) 3/8" Split Lock Washers
- (12) 3/8"-16 Nylon Insert Locknuts
- (12) 3/8"-16 Nuts
- (1) Tube of Silicone

Before you begin:

Do not carry more than 500 pounds (227KG) of combined cargo and accessories on ProRac crossbars. Distribute loads evenly across both crossbar. ProRac cannot warranty loads that exceed this limit.

Remove all components from the shipping carton and read the instructions thoroughly to familiarize yourself with the assembly sequence.

Gather the following tools used to assemble and install the rack.

- 9/16" Socket and open end wrench
- 3/8" dia drill bit and drill
- Marker
- Tape measure
- Tape

Step 1 – Locate legs on truck bed

Locate on the truck bed where the front and rear legs will be positioned. The ideal positions for the legs are as far forward for the front legs and as far rearward for the back leg.

You will need to have open access underneath the top of the bed surface for mounting the legs and load plates to the bed.

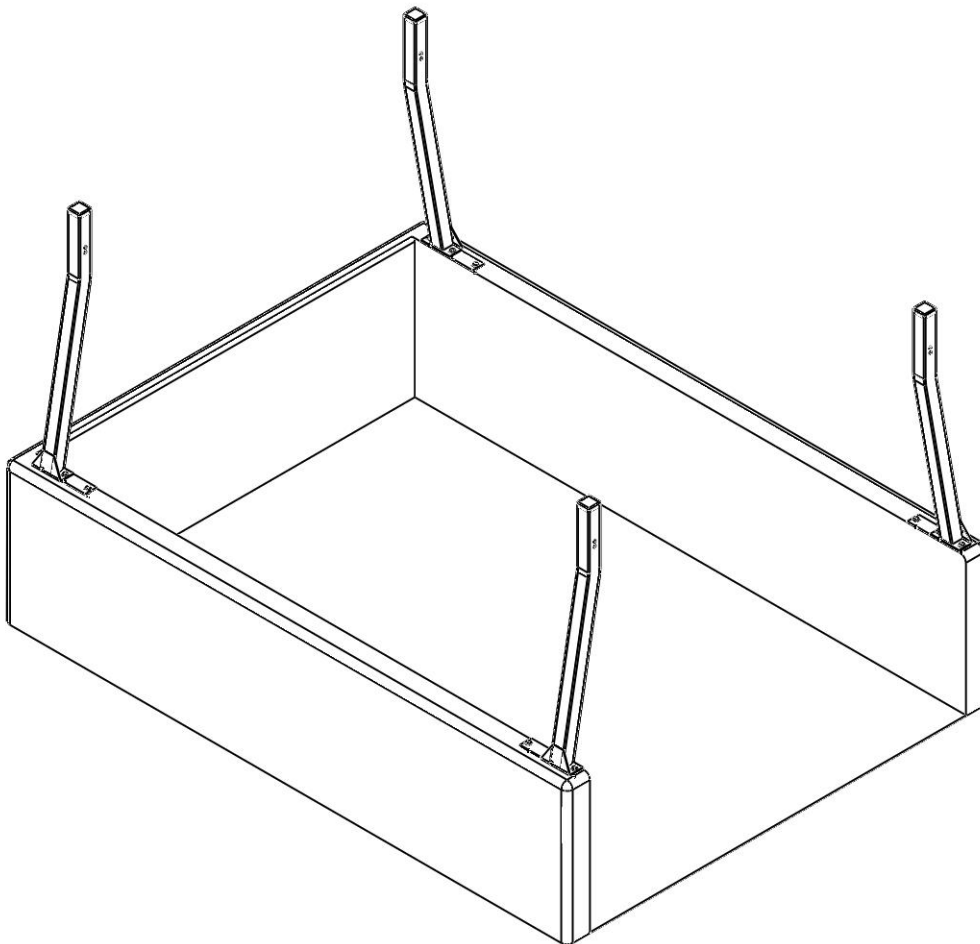
Check for obstructions in mounting the legs to the truck bed such as stake pocket holes or limited access to the underside of the top surface of the bed.

Check for function of tailgate or interference with the cab of the truck. Adjust as needed.

The spacing between the centers of the bolt holes is 4-1/2”.

Place tape over the desired positions.

Place a leg on top of the tape and position the leg to the desired location on the top surface. For best results, use a tape measure so each leg is positioned equally with the other side.



Using a marker, mark the outline of the leg and two mounting holes onto the tape.

Place the load plate over the two holes marked holes above and mark the third hole.

Mark the centers of all three holes.

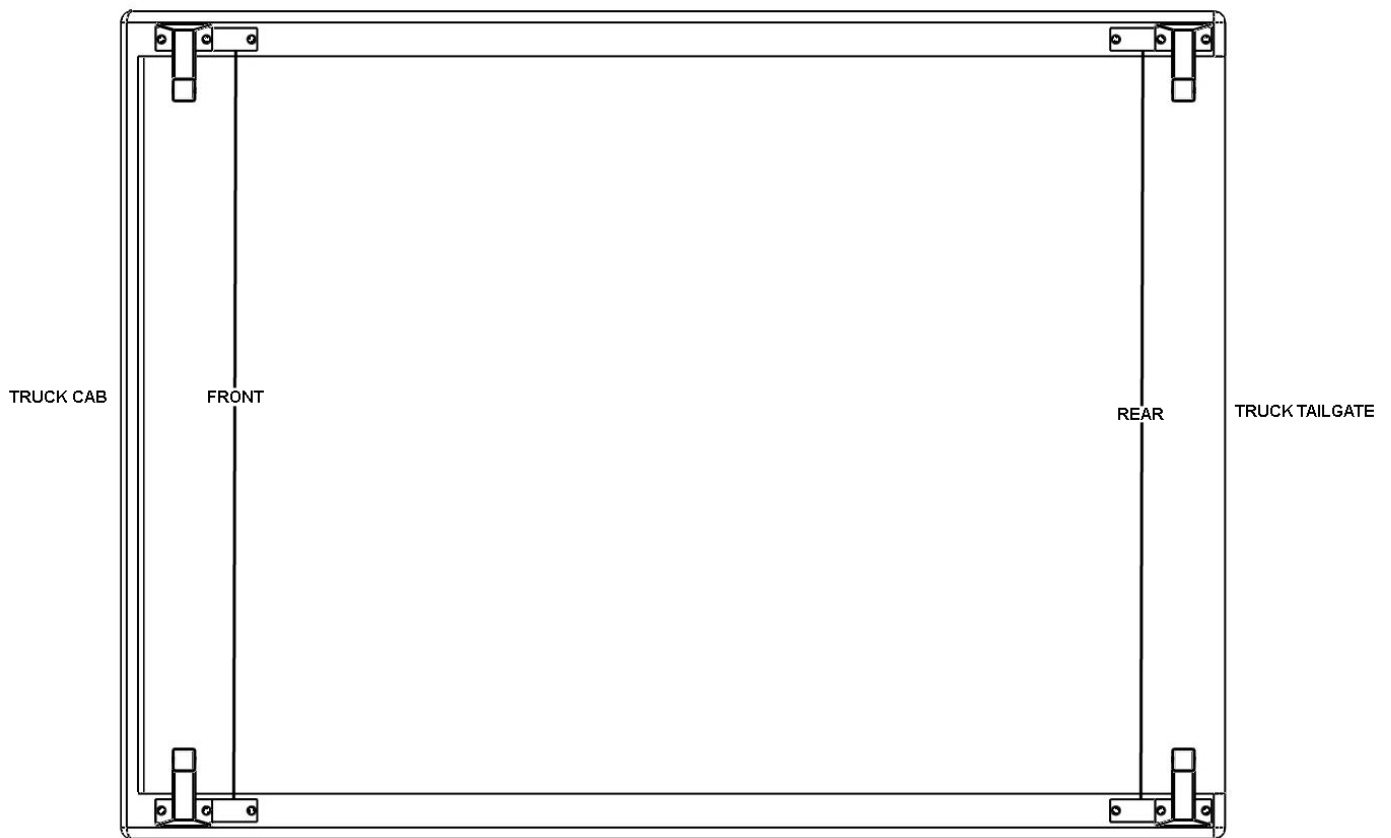
Repeat for all legs

Step 2 Measure distances

Using a tape measure, measure from driver side to passenger side on the inside marked edges of the tape where the legs where outline from step 1. See illustration below.

Front truck bed mount span = _____

Rear truck bed mount span = _____

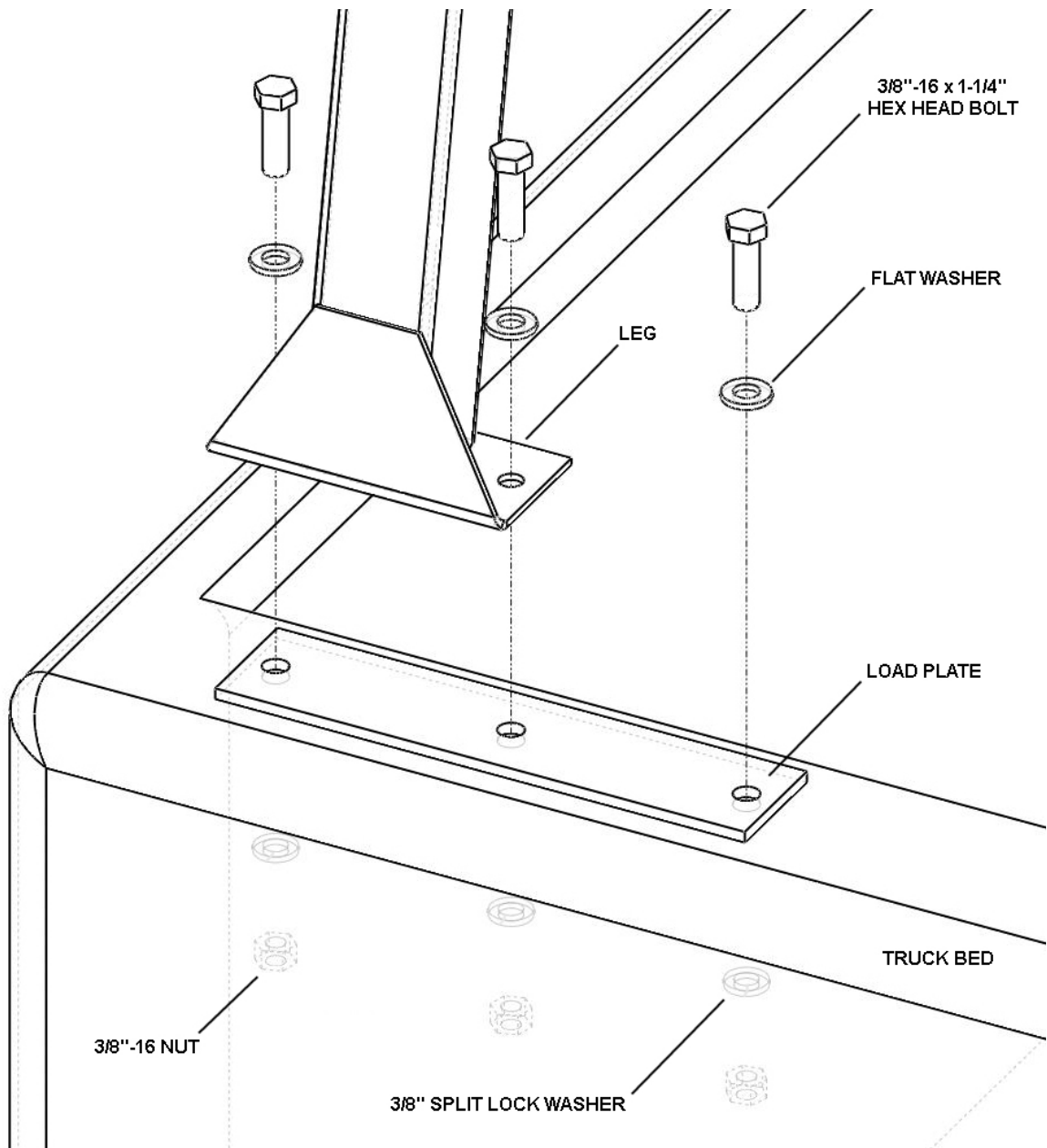


Step 3 Leg placement on bed

Drill out the three marked holes marked on the tape with a 3/8" drill and remove tape from the truck bed.

Use silicone and apply a bead around each bolt hole.

Place the load plate down first and then position the leg over the plate and align the bolt holes.



Secure the leg and load plate to the bed with (3) bolts, (3) Flat washers, (3) split lock washers and (3) nuts.

NOTE: The flat washer go on the top surface and split lock washer mount underneath the bed rail.

Repeat for other legs.

Step 4 Crossbar assembly

Crossbar width fit

Because truck bed widths can taper front to back, each crossbar will be set specifically to match where it is mounted on the bed. Because the legs angle inward, the crossbar width will be 5-1/4" shorter than the length measured.

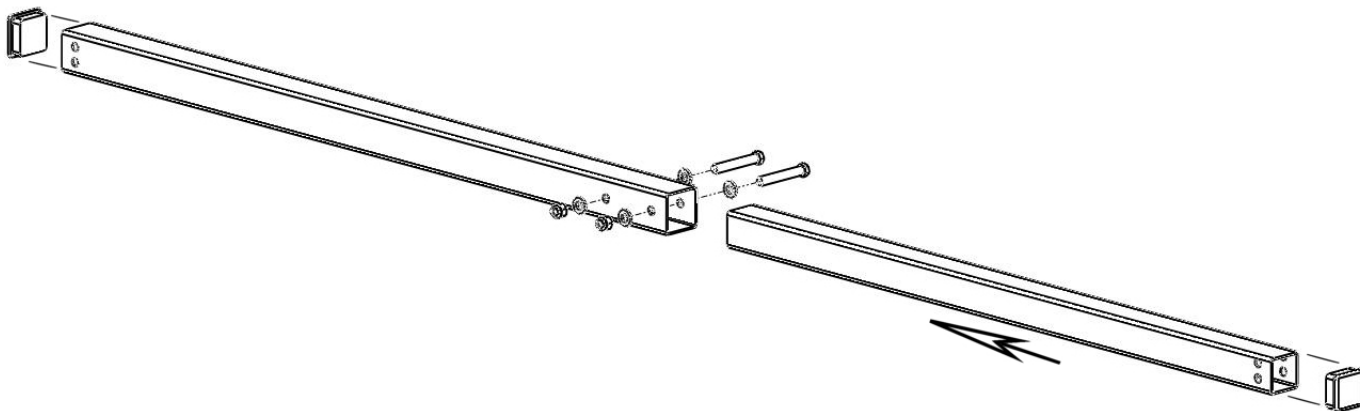
Using the measurements from step 2,

Front Legs span _____ - 5-1/4" = _____

Rear Legs span _____ - 5-1/4" = _____

Slide the 1-3/4" inner crossbar tube into the 2" out crossbar tube as shown until they measure the length from above.

Temporarily secure the two crossbars together by wrapping tape around the end of the 2" outer crossbar and 1-3/4" inner crossbar.



Using the 2" tube bolt holes as guides, mark the center of the holes using a center punch.

Drill the holes marked with a 3/8" drill bit on both sides. Remove tape that was temporarily holding the two crossbars together.

Align the bolt holes of both tubes. Apply a small bead of silicone around the bolt holes on the larger tube.

Insert the 3/8"-16 x 2-3/4" bolt with a flat washer through the crossbar.

Secure the bolt with a flat washer and 3/8"-16 nylon insert lock nut.

Repeat for other bolt hole.

Place the end caps on the ends of the crossbar.

Apply silicone to the gap between the inner and outer crossbar to seal out water and reduce wind noise.

Repeat step 4 for other crossbar.

Step 5 Crossbar to leg assembly

Mount the crossbar to the legs using hardware. You may mount to either the front side or rear side of the legs.

Orientate the 1-3/4" tube as shown (note the holes are not centered on this end of the crossbar)

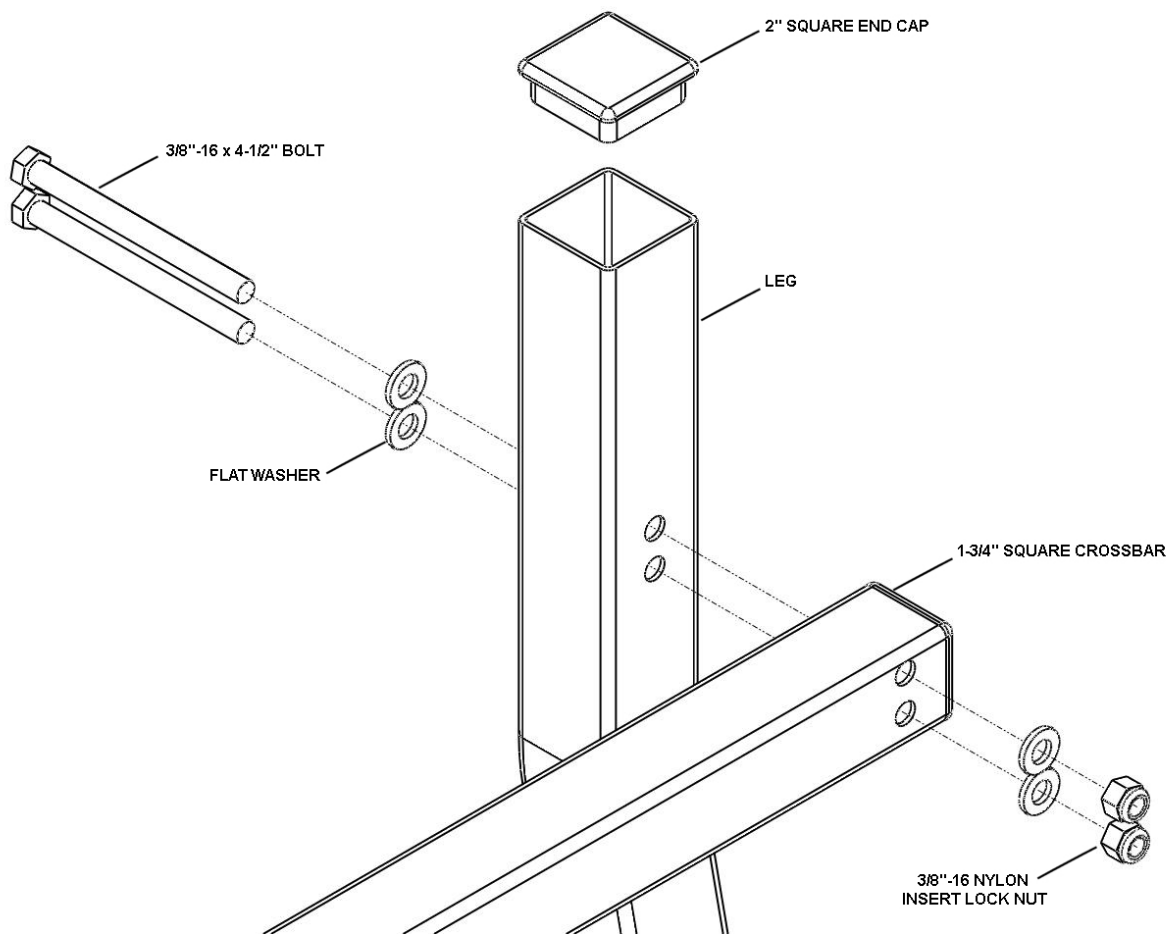
Starting with the bottom hole first, insert the 3/8"-16 x 4-1/2" bolt with a flat washer through the leg and 1-3/4" square crossbar.

Secure the bolt with a flat washer and 3/8"-16 nylon insert lock nut. Lightly tighten the hardware.

Note the spacing between the washer fit is tight, it maybe necessary to adjust the washer centering so they will both fit flush on the legs and crossbars.

Repeat for other bolt hole.

Insert the 2" square end cap into the top of the leg.



Step 5 (continued) Crossbar to leg assembly

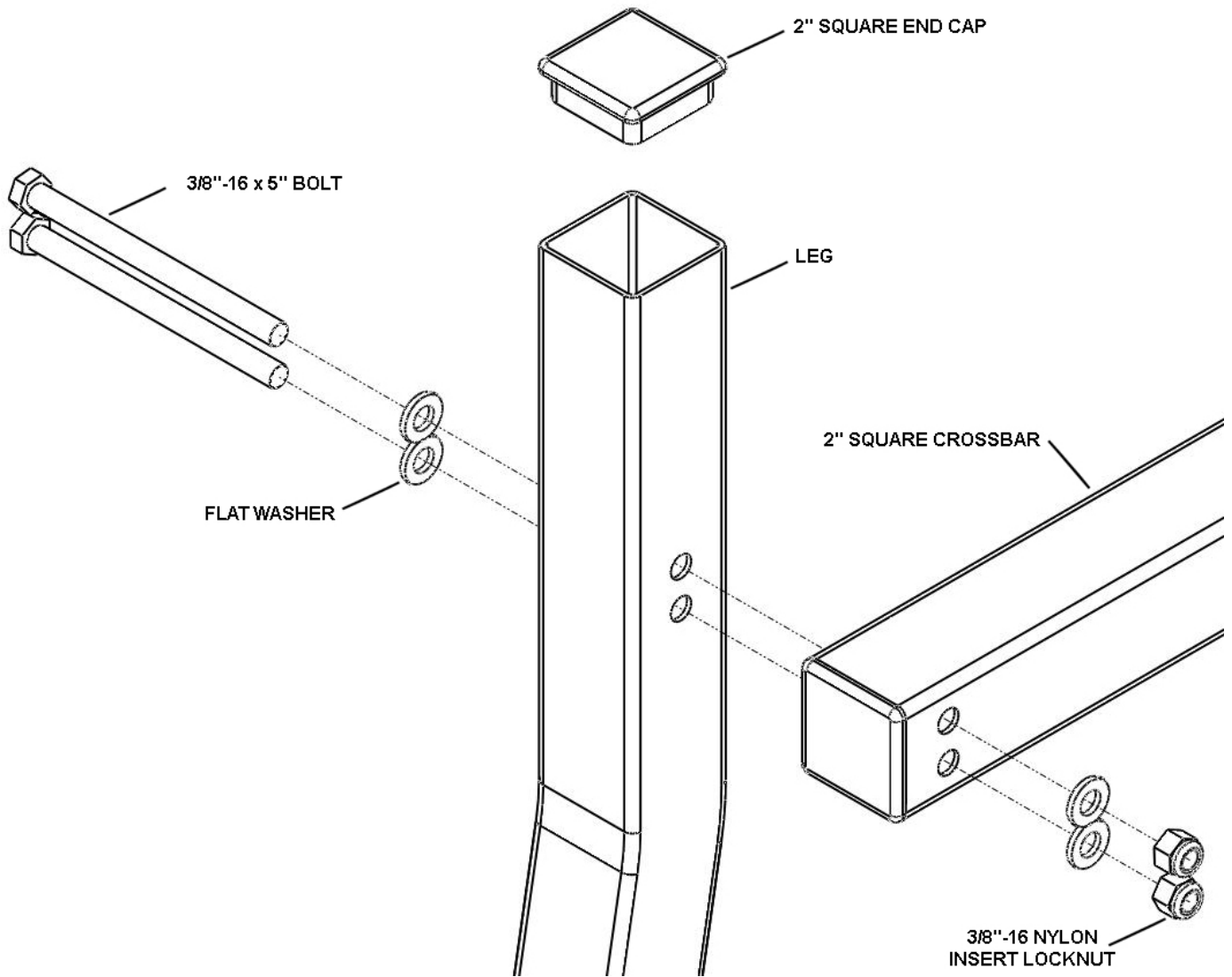
Orientate the 2" tube as shown (note the holes are not centered on this end of the crossbar)

Starting with the bottom hole first, insert the 3/8"-16 x 5" bolt with a flat washer through the leg and 2" square crossbar.

Secure the bolt with a flat washer and 3/8"-16 nylon insert lock nut.

Repeat for other bolt hole.

Insert the 2" square end cap into the top of the leg.



Lightly tighten the hardware.

Check to make sure the crossbar is square to the upper portion of the legs. Adjust as needed and then tighten the hardware.

Repeat for other crossbar.

Go around rack and check all hardware making sure it is tight.

Customer Limited Warranty and Standard Return Policy

Hauler Racks, Inc. offers to preferred customers a special limited warranty. It is our goal to provide effective service for any warranty or standard return. This statement of warranty and return policy is divided into two sections: Warranty Returns of Defective Product and Standard Returns of Unused Product.

Warranty Returns of Defective Product

Hauler Racks, Inc. will repair or replace, at its option and without charge, any properly installed Hauler component that fails due to defect in material or workmanship up to 30 days from the initial registered consumer purchase. All of our aluminum product line is guaranteed not to rust or corrode for 1 year. Proof of Purchase must be provided for warranty to be honored.

Loads should never exceed 1/3 of your vehicle's manufacturer's total load capacity. Loads should never extend more than 1 foot on either end of rack. This warranty is void if any damage to the product is due to misuse, abuse, neglect, accident, improper installation, or any uses contrary to the instructions accompanying the product. The warranty is also void if racks are altered in any manner. The racks have been load tested for the racks capacity to hold loads when not on a vehicle. Hauler Racks, Inc. does not warranty load capacities. As the factory has no way of knowing if the product was properly assembled, installed, used according to instructions, or if loads were secured properly.

This warranty covers the cost of the defective component and not the cost of removal, installation or other incidental charges unless other arrangements have been made with Hauler Racks.

This warranty gives you specific legal rights and you may have other rights which vary from state to state.

All warranty claims must receive a Return Authorization number from Hauler Racks, Inc. BEFORE the product is returned to the Company. Please follow this procedure:

1. Call Hauler at 800-843-5445 to request a Return Authorization number. You will need to provide the following information
 - Specific nature of the defect
 - Product installation date
 - Product part number
 - Original sales invoice number
2. When a replacement or repair strategy is determined, a Return Authorization number will be assigned to the claim.
3. A replacement invoice and shipping document will be generated at Hauler Racks to initiate any replacement product. Replacement product will be sent according to standard shipping cycles.
4. The purchaser is responsible for packing and return shipping of the product. The RETURN AUTHORIZATION NUMBER MUST BE CLEARLY MARKED ON THE OUTSIDE OF THE PACKAGE. Unmarked packages will be refused. Any product damage that occurs during the shipping is not covered under warranty. The purchaser must pursue claims for shipping damage with the shipping center.
5. The purchaser is responsible for payment of both the original product invoice and the replacement invoice according to established credit terms.
6. Upon receipt of the returned product, Hauler Racks will review the claim for warranty conformance. If the claim meets warranty criteria, a credit for the original invoice amount will be posted to the purchaser's account and a credit memo will be mailed. If the claim does not meet warranty criteria, the purchaser will receive a statement detailing reasons for partial credit or denial. At the purchaser's option, denied product may be returned to the purchaser.

Standard Returns of Unused Product

Unused product may be eligible for return to Hauler Racks, Inc. Follow the procedure described in the section on Warranty Returns to receive an Authorization Number.

Returned product which is less than 6 (six) months old is subject to a 20% restocking fee.

Returned product which is more than 6 (six) months old may not be eligible for return or may incur additional restocking charges.

HMIS38
Steel Econo Truck Rack
Revised 5-19-2009

© 2009 Hauler Racks Inc.