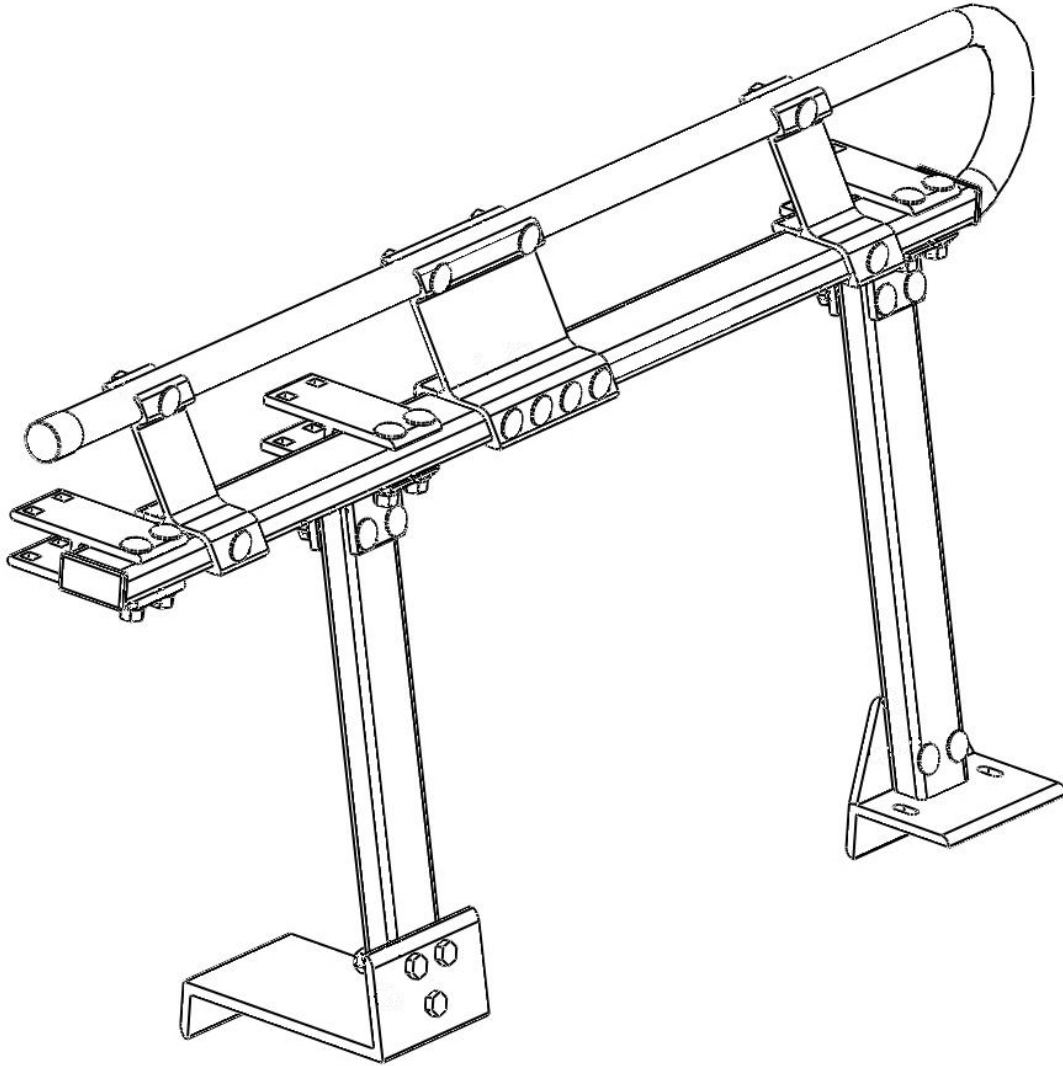




HRHDPOP DISPLAY ASSEMBLY INSTRUCTIONS



Package Contents:

- (1) HRHDPOP rail assembly
- (1) Truck leg assembly
- (1) camper leg assembly

Before you begin:

Gather the following tools used to assemble and install the rack.

9/16" Socket or open end wrench

Remove the (4) 3/8"-16 x 1-3/4" carriage bolts, split lock washers and nuts from the 'Y' brackets.

Place the legs as shown below into the 'Y' bracket.

Secure the legs in the 'Y' bracket with (4) 3/8"-16 x 1-3/4" carriage bolts, split lock washers and nuts.

Tighten nuts until the split lock washers are flat.

